

📞 1 844 842 5141

✉ info@bigfootcrane.com

🌐 bigfootcrane.com

Boscaro's EZ™ Spreader Bar systems have been fully tested for compliance with ASME, eliminating the need for an assortment of bars while allowing you to adapt to the changing demands of your job site. With male and female interlocking components, the unique design provides multiple configurations. Utilize each section as an individual bar or combine components to form an adjustable spreader bar with 1' increments.

The lightweight build and the option to disassemble the components not only increases your capacity but also makes transportation, assembly, and storage of the system simple and time efficient. Components are galvanized which increases durability and prevents paint chips due to repetitive movement. With Boscaros' EZ Spreader Bars you will be improving efficiency on site as well as managing down costs.

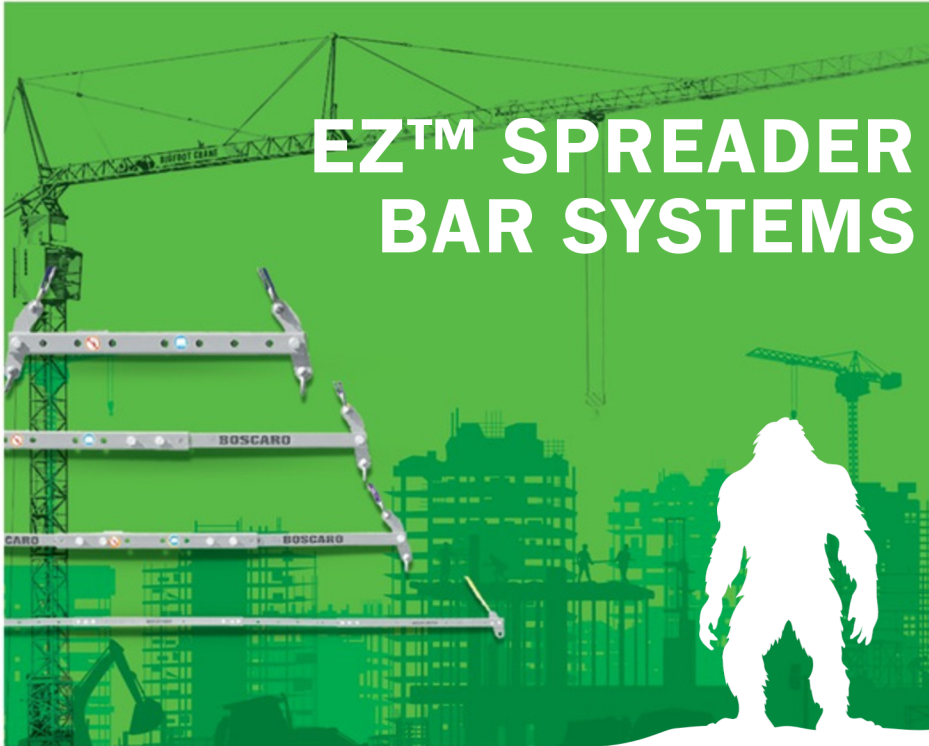
Special Update:

Due to highly fluctuating steel prices, Bigfoot Crane Company reserves the right to change its pricing to reflect these changes at any time, and on any open quote issued. We understand this may result in unexpected cost fluctuation, and we are doing everything possible to reduce impact on our customers.

If you have questions, concerns or to get a quote please call 1-855-598-3915.

Thank you for your understanding in this matter.





📞 1 844 842 5141

✉️ info@bigfootcrane.com

🌐 bigfootcrane.com

Features

- ✔️ Modular Spreader Bar System
- ✔️ Range from 1.31M/4' to 10.36M/34'
- ✔️ Lifting Capacities up to 110 Tonnes/242,506lbs
- ✔️ Galvanized for Durability
- ✔️ Easily Transported & Stored

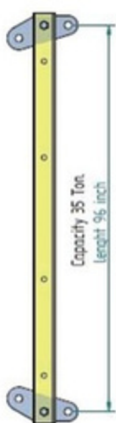
Specifications

Model	15T EZ Bar System	35T EZ Bar System	110T EZ Bar System
Min Length	4'	8'	8'
Max Capacity	33,070 lbs	77,161 lbs	242,506 lbs
Ext. Length	16.5'	34'	34'
Ext. Capacity	6613 lbs	15,432 lbs	59,424 lbs

*Capacity is based off a 60 degree sling angle



SAFE EFFICIENT STRONG



Capacity 35 Ton.
Length 96 inch



Capacity 30 Ton.
Length 81 inch



Capacity 34 Ton.
Length 108 inch



Capacity 33 Ton.
Length 120 inch



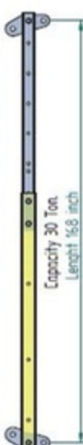
Capacity 35 Ton.
Length 132 inch



Capacity 32 Ton.
Length 144 inch



Capacity 31 Ton.
Length 156 inch



Capacity 30 Ton.
Length 168 inch



Capacity 30 Ton.
Length 168 inch



Capacity 28 Ton.
Length 192 inch



Capacity 25 Ton.
Length 216 inch



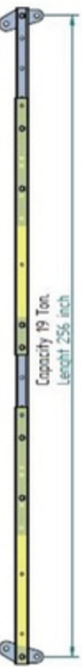
Capacity 23 Ton.
Length 240 inch



Capacity 22 Ton.
Length 213 inch



Capacity 20 Ton.
Length 232 inch



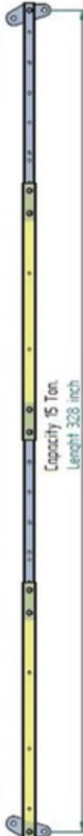
Capacity 19 Ton.
Length 256 inch



Capacity 18 Ton.
Length 280 inch



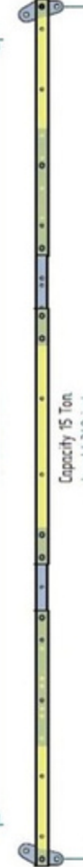
Capacity 16 Ton.
Length 304 inch



Capacity 15 Ton.
Length 328 inch



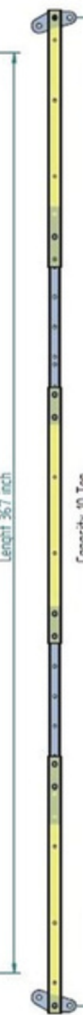
Capacity 18 Ton.
Length 313 inch



Capacity 15 Ton.
Length 340 inch



Capacity 12 Ton.
Length 367 inch



Capacity 10 Ton.
Length 394 inch



Capacity 7 Ton.
Length 415 inch



1844 842 5141



info@bigfootcrane.com



.bigfootcrane.com

35T EZ™ SPREADER BAR SYSTEMS



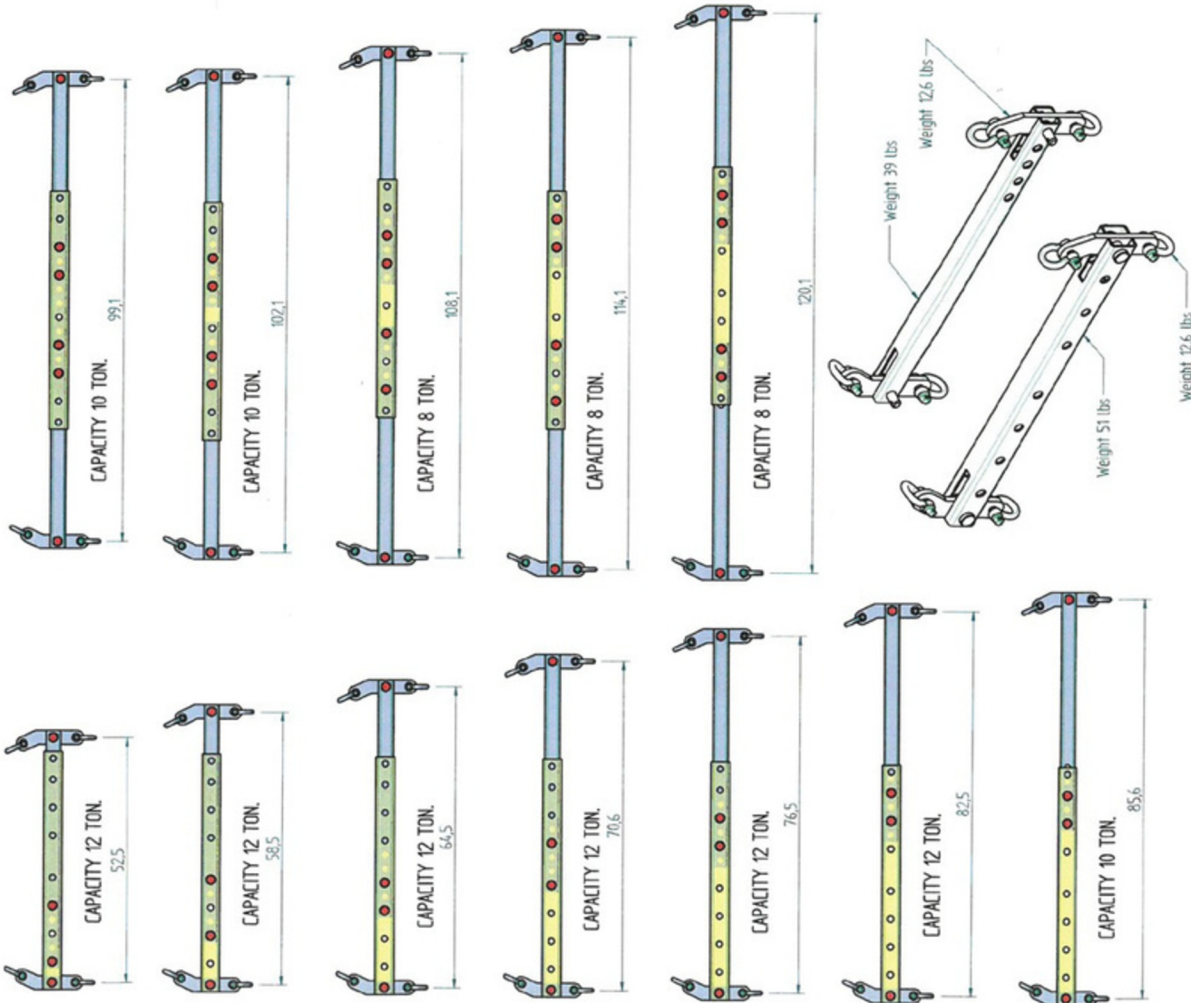
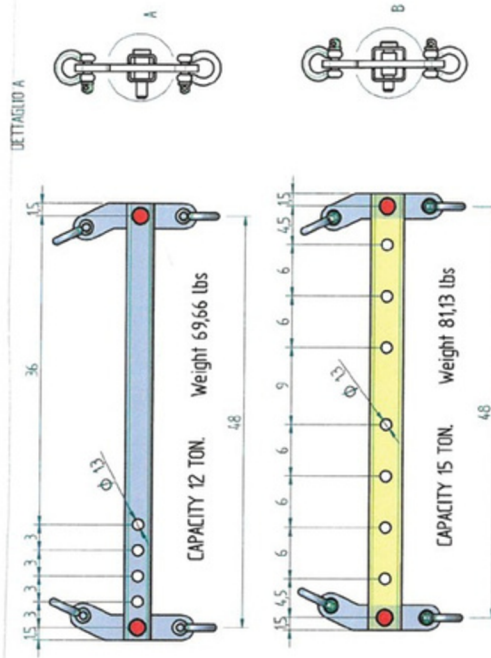
15T EZ™ SPREADER BAR SYSTEMS



1844 842 5141

info@bigfootcrane.com

bigfootcrane.com



110T EZ™ SPREADER BAR SYSTEMS



- 1844 842 5141
- info@bigfootcrane.com
- bigfootcrane.com

